

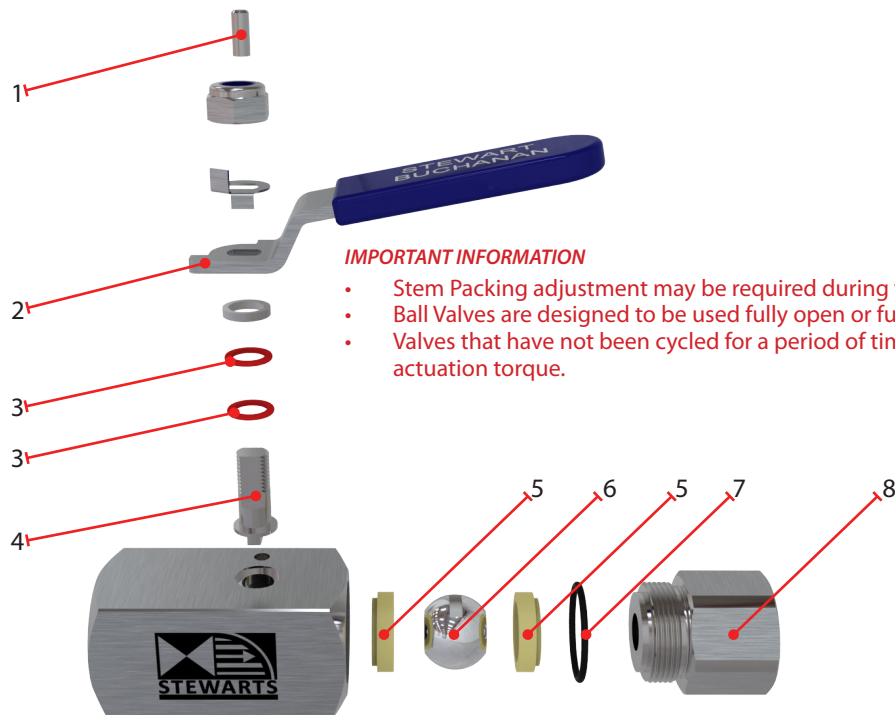
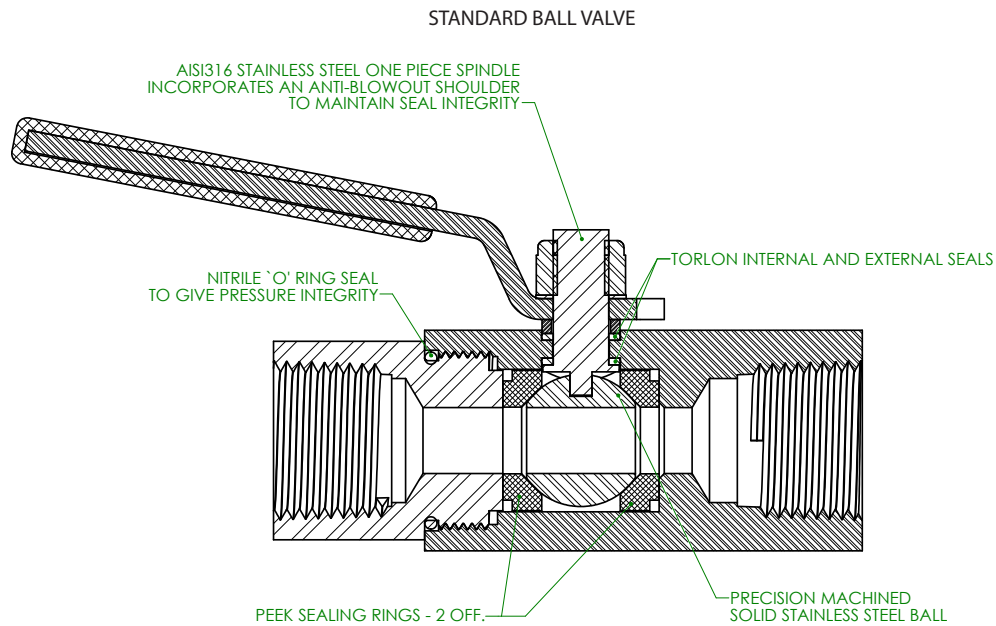
# TECHNICAL SPECIFICATION



## BALL VALVE (Floating Ball)

### FEATURES

1. A 316 Stainless Steel "dead stop" pin is held into the body by a machined anti-vibration spline.
2. One piece stamped 316 Stainless Steel handle gives positive feel, quarter turn operation.
3. Torlon internal & external stem seals.
4. AISI 316 Stainless Steel one piece spindle incorporates an anti-blowout shoulder to maintain seal integrity at all pressures.
5. Peek ball seats (2).
6. Precision machined solid stainless steel ball, super finished to reduce operating torque .
7. Nitrile o-ring seal to give pressure integrity.
8. Process threads High Tolerance NPT Thread Engagement with 5-6 threads engaged when fully tightened.



## STEWART-BUCHANAN GAUGES LTD

Sales Office & Manufacturing Facility - 7 Garrell Road, Burnside Industrial Estate Kilsyth, Glasgow G65 9JX, SCOTLAND  
Tel: +44 (0)1236 821533 | Fax: +44 (0)1236 824090 | E-mail: sales@stewarts-group.com | Web: stewarts-group.com

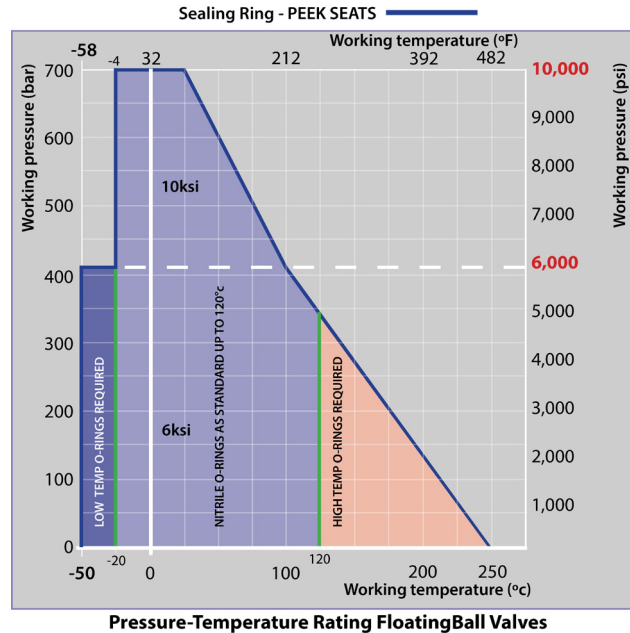
# TECHNICAL SPECIFICATION



## BALL VALVE (Floating Ball)

### OPTIONAL FEATURES

- Valves can be supplied to ISO 15156/NACE MR-01-75 or Norsok M-630 specifications
- PMI - Certified material identification XRF (See data sheet)
- Cleaned and degreased for Oxygen service (or Oxidizing Gases)
- Wide variety of process connections available by arrangement
- Panel mounting valve, where available, on request
- Laser etching – customisable options available
- Other seals available by arrangement
- Firesafe certification to BS EN ISO 10497 (BS 6755 Part 2), API 607, API 6FA, where available
- 10,000psi optional designs, where available
- Choice of exotic alloys i.e., MONEL®, Duplex, Super Duplex, Titanium, HASTELLOY®, Alloys 625, 825, 6%Mo
- All Norsok M-630 materials sourced from Norsok M-650 approved mills on request
- Optional mounting bracket kits, where available



Note: Contact SBG Sales to discuss sealing options in Temperature range 120°C - 250°C

Note: Contact SBG Sales to discuss sealing options in Temperature range 120°C - 250°C

## STEWART-BUCHANAN GAUGES LTD

Sales Office & Manufacturing Facility - 7 Garrell Road, Burnside Industrial Estate Kilsyth, Glasgow G65 9JX, SCOTLAND  
Tel: +44 (0)1236 821533 | Fax: +44 (0)1236 824090 | E-mail: sales@stewarts-group.com | Web: stewarts-group.com

# TECHNICAL SPECIFICATION



## BALL VALVE (Trunnion Style) MODELS-BVD1, BVE1, BVJ1

### FEATURES

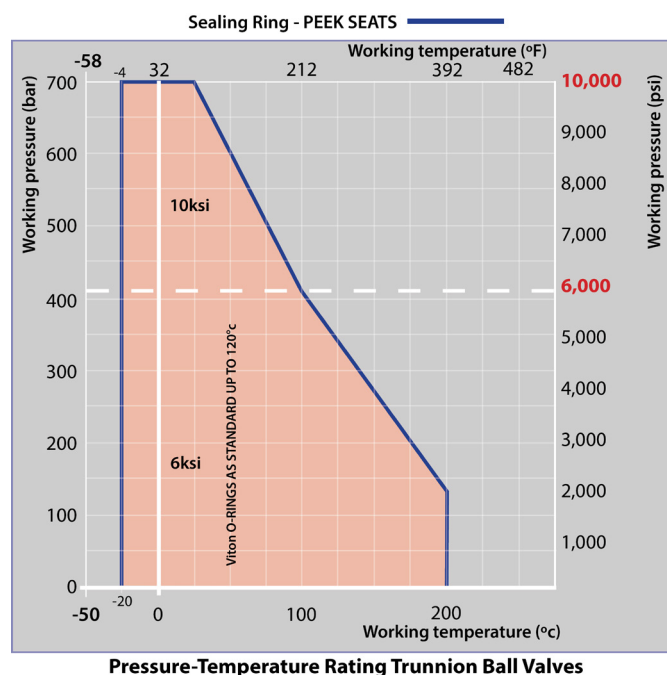
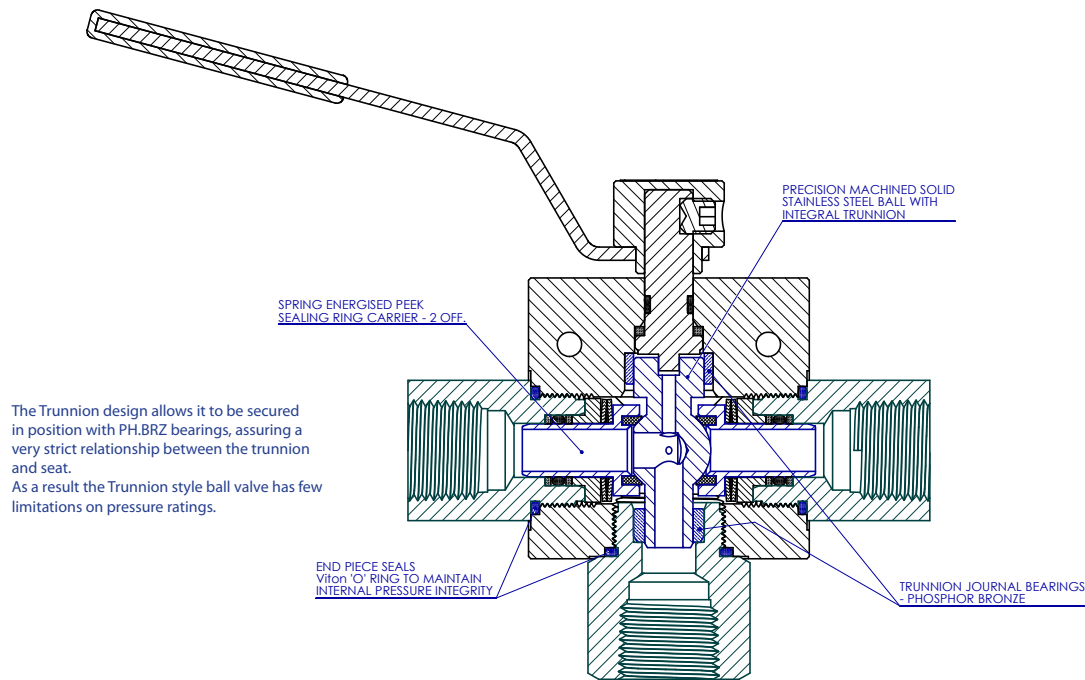
- Wetted Parts - 316 St.St
- Seals (O-Rings) - Viton
- Bearings - Phosphor Bronze
- Seats - Peek

#### IMPORTANT INFORMATION

- Ball Valves are designed to be used fully open or fully closed.
- Valves that have not been cycled for a period of time may have a higher initial actuation torque.

### OPTIONAL FEATURES

- Valves can be supplied to ISO 15156/NACE MR-01-75
- PMI - Certified material identification XRF (See data sheet)
- Wide variety of process connections available by arrangement
- Panel mounting valve, where available, on request
- Laser etching – customisable options available
- Other seals available by arrangement
- 10,000psi optional designs, where available



## STEWART-BUCHANAN GAUGES LTD

Sales Office & Manufacturing Facility - 7 Garrell Road, Burnside Industrial Estate Kilsyth, Glasgow G65 9JX, SCOTLAND  
 Tel: +44 (0)1236 821533 | Fax: +44 (0)1236 824090 | E-mail: sales@stewarts-group.com | Web: stewarts-group.com