

S-TYPE SYPHONS



Maximum working pressure 400 bar at 200 deg C. (Other options are available)

APPLICATIONS

Pressure gauge syphons are used to protect the pressure gauge from the effect of hot media such as steam.

N.B. The syphon should be primed with a suitable medium compliant with the process medium, E.g. for steam application the syphon should be primed with water.

S-TYPE SYPHON



Parallel Thread with Adapter

Model S-07M-07F-AI

Section Showing Flow

Inlet & Outlet
M = Male F = Female Thread
02M or F = G $\frac{1}{8}$ B or G $\frac{1}{8}$ (BSPP)
03M or F = $\frac{1}{4}$ " NPT
04M or F = G $\frac{1}{4}$ B or G $\frac{1}{4}$ (BSPP)
05M or F = $\frac{3}{8}$ " NPT
06M or F = G $\frac{3}{8}$ B or G $\frac{3}{8}$ (BSPP)
07M or F = $\frac{1}{2}$ " NPT
08M or F = G $\frac{1}{2}$ B or G $\frac{1}{2}$ (BSPP)
13M or F = R $\frac{1}{4}$ or Rc $\frac{1}{4}$ (BSPT)
14M or F = R $\frac{3}{8}$ or Rc $\frac{3}{8}$ (BSPT)
15M or F = R $\frac{1}{2}$ or Rc $\frac{1}{2}$ (BSPT)
Key
GxB = Parallel Male Class B
G = Parallel Female
R = Taper Male
Rc = Taper Female

Material
AI = 316L Stainless Steel (UNS S31600 / S31603)
MO = MONEL [®] 400 (UNS N04400)
HA = HASTELLOY [®] C-276 [®] (UNS N10276)
IL = INCONEL [®] 625 (UNS N06625)
IN = INCOLOY [®] 825 (UNS N08825)
TI = TITANIUM Gr.2 (UNS R50400)
DU = DUPLEX (UNS S31803)
SD = SUPER DUPLEX (UNS S32760)
HC = HASTELLOY [®] C-22 (UNS N06022)
SA = SUPER AUSTENITIC ST.ST 6%Mo (UNS S31254)
<i>Note: Other materials available on request.</i>

HOW TO ORDER

PART NO S-



STEWART-BUCHANAN GAUGES LTD

Sales Office & Manufacturing Facility - 7 Garrell Road, Burnside Industrial Estate, Kilsyth, Glasgow G65 9JX, SCOTLAND
Tel: +44 (0)1236 821533 | Fax: +44 (0)1236 824090 | E-mail: sales@stewarts-group.com | Web: stewarts-group.com

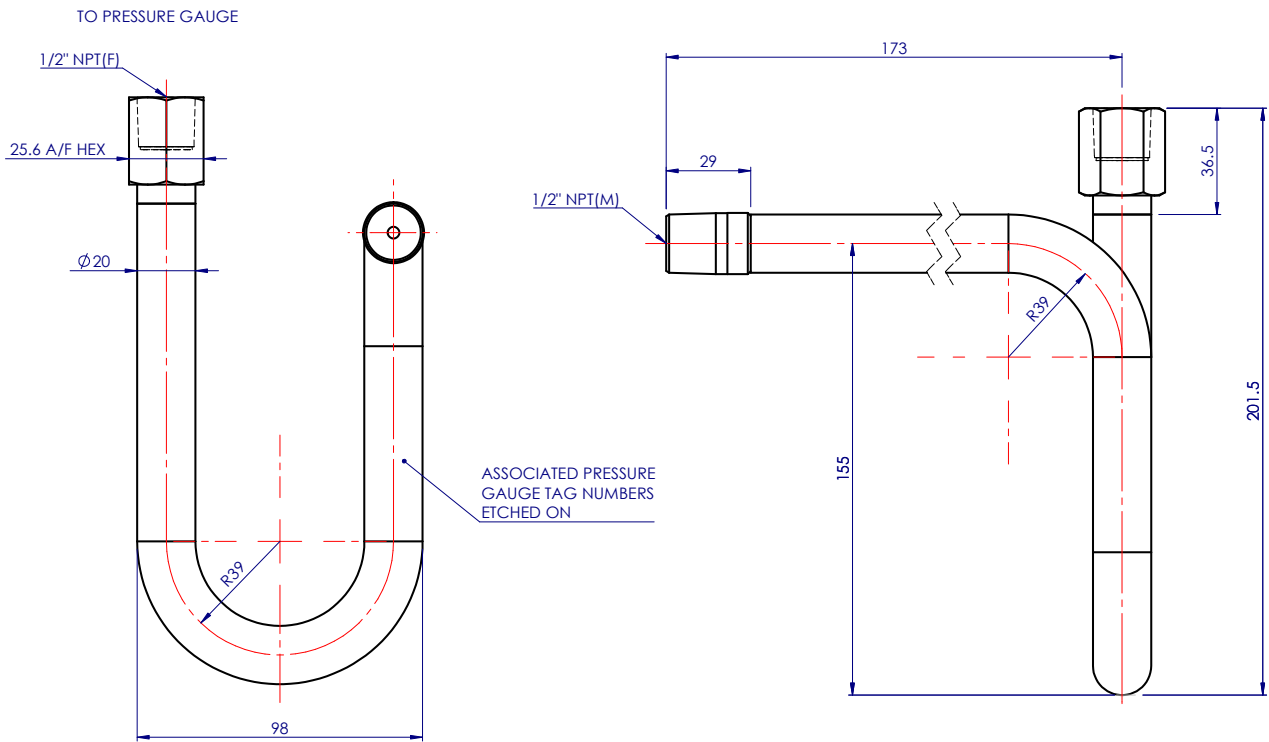
S-TYPE SYPHONS



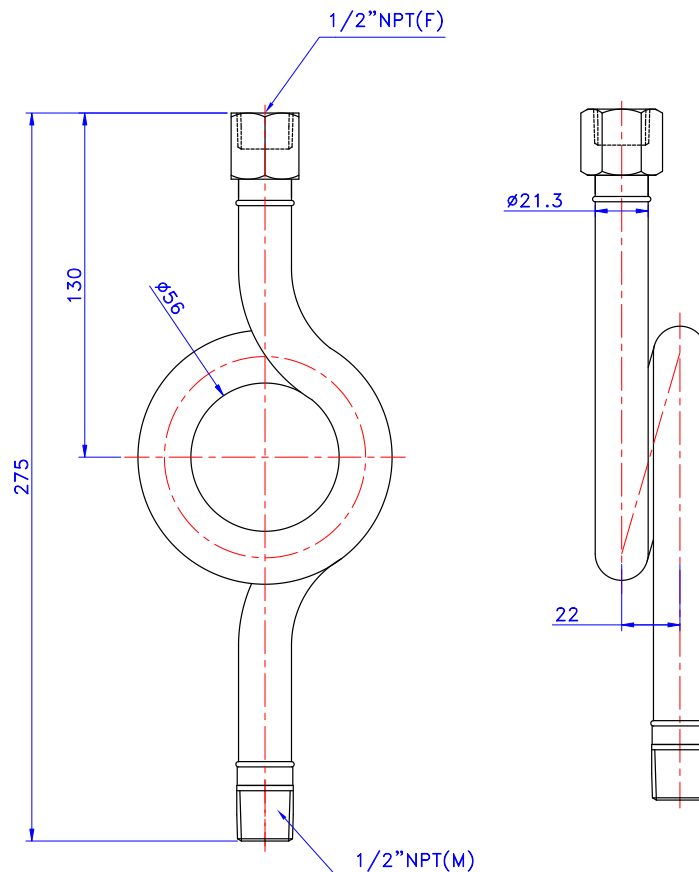
Maximum working pressure 100 bar at 120 deg C.

N.B. S1 & S2 Only available in 316L Stainless Steel, Brass and Wrought Iron.

S1-U TYPE SYPHON



S2-RING TYPE SYPHON



STEWART-BUCHANAN GAUGES LTD

Sales Office & Manufacturing Facility - 7 Garrell Road, Burnside Industrial Estate, Kilsyth, Glasgow G65 9JX, SCOTLAND
Tel: +44 (0)1236 821533 | Fax: +44 (0)1236 824090 | E-mail: sales@stewarts-group.com | Web: stewarts-group.com