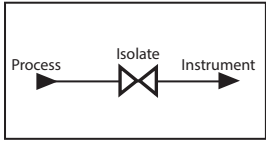


# MODEL - C1

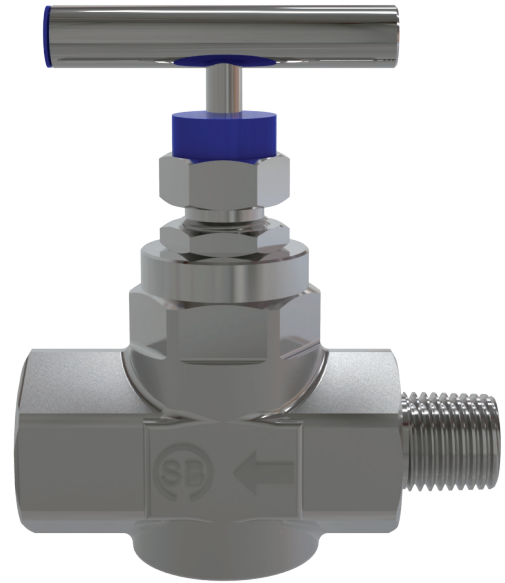


## SINGLE BLOCK FORGED (In Line) HAND VALVE 1000 bar (15000 psi)

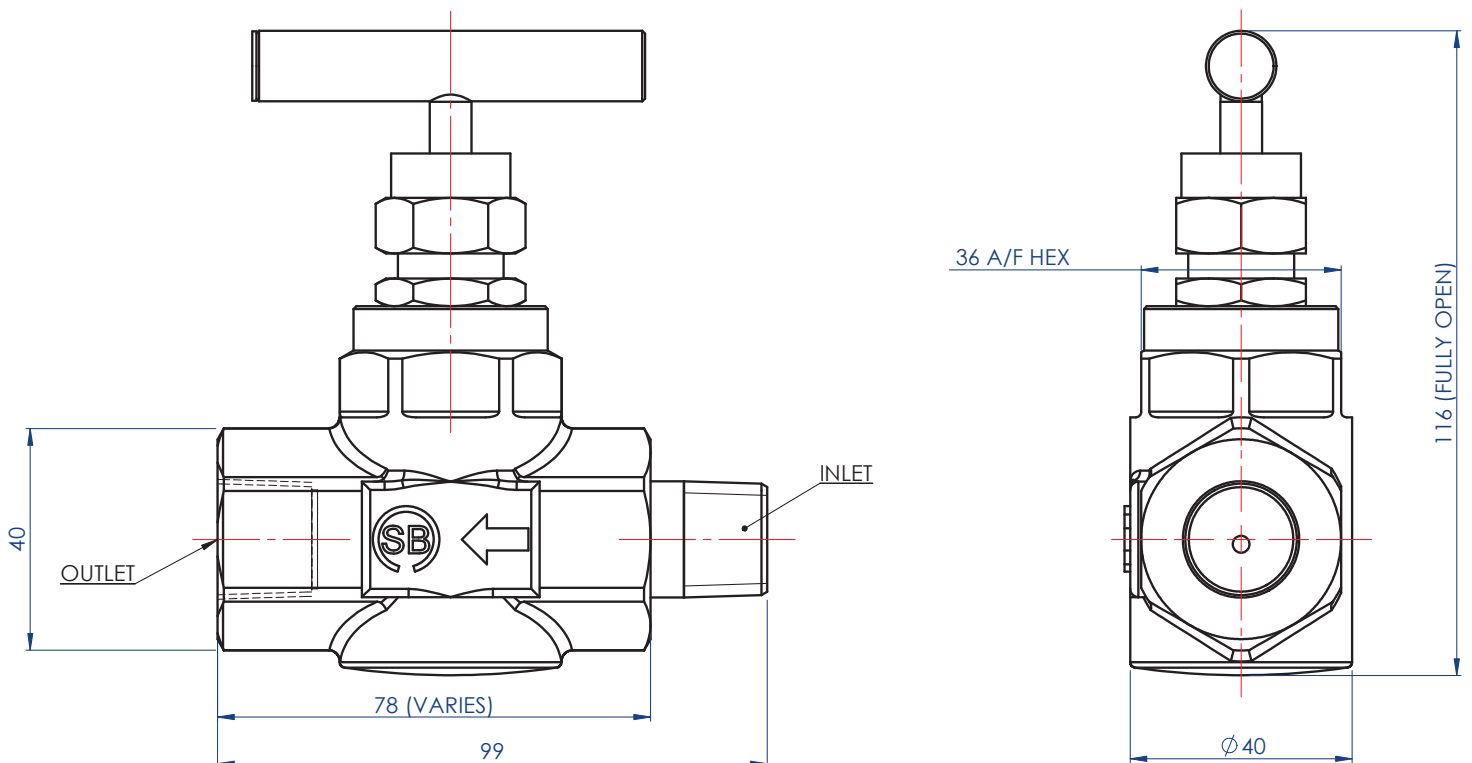


### APPLICATION

High Integrity instrument isolation of pressure gauges and pressure transmitters.  
Only available in 316SS or Carbon Steel (with Plated option).  
(See HOW TO ORDER Data Sheet).



WEIGHT = 1.1 kg



## STEWART-BUCHANAN GAUGES LTD

Sales Office & Manufacturing Facility - 7 Garrel Road, Burnside Industrial Estate, Kilsyth, Glasgow G65 9JX, SCOTLAND  
Tel: +44 (0)1236 821533 | Fax: +44 (0)1236 824090 | E-mail: sales@stewarts-group.com | Web: stewarts-group.com

DATA SHEET REF: C1MF-REV01-14

