

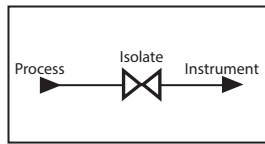
MODEL - A1



SINGLE BLOCK (Female / Female) HAND VALVE 413 bar (6000 psi)

ISOLATE	Red
VENT	Yellow
EQUALIZE	Blue

Valve Colour Coding



APPLICATION

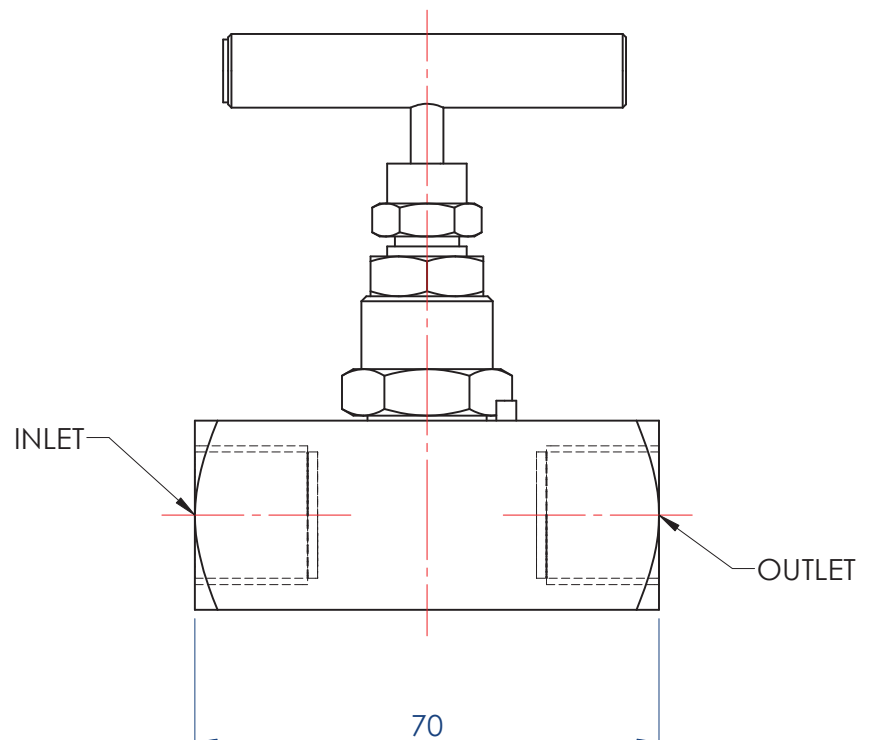
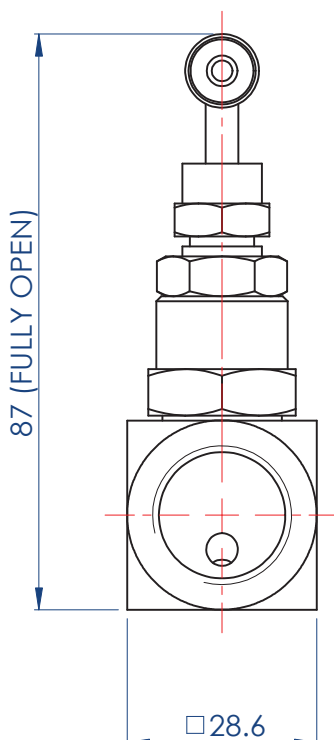
High Integrity instrument isolation of pressure gauges and pressure transmitters.

Also available in a range of other materials and options

(See HOW TO ORDER Data Sheet).



WEIGHT = 0.5 kg



STEWART-BUCHANAN GAUGES LTD

Sales Office & Manufacturing Facility - 7 Garrel Road, Burnside Industrial Estate, Kilsyth, Glasgow G65 9JX, SCOTLAND
Tel: +44 (0)1236 821533 | Fax: +44 (0)1236 824090 | E-mail: sales@stewarts-group.com | Web: stewarts-group.com

DATA SHEET REF: A1FF-REV01-14

