

# BP300 Datasheet

BACK PRESSURE REGULATOR



Gas  Liquid |  Diaphragm  Piston |  Self-Venting  Non-Venting | Max Rating: 35 bar (510 psi) | Control Range: 20 bar (290 psi) | Cv 0.1



## INTRODUCING THE BP300...

The BP300 is an Inconel® X750 diaphragm-sensed back pressure regulator.

Its compact and simple design makes it ideal for general purpose applications and for systems that do not require accurate control of upstream pressure.

## SPECIFICATION

Max. Rating	35 bar (510 psi)
Control Range	Up to 20 bar (290 psi)
Design Proof Pressure	150% max. working pressure
Seat Leakage	In accordance with ANSI/FCI 70-3
Weight	0.9kg (2lbs)

\* Pressure regulator rating may be limited by connection type, Cv and/or seat material

## STANDARD MATERIALS OF CONSTRUCTION

PART	MATERIALS
Body and Bonnet	AISI 316/316L Stainless Steel (UNS S31600/S31603)
Soft Seat	FKM/FPM
Diaphragm	Inconel® X750
Handwheel	Nylon
O-Rings	FKM/FPM
Loading Spring	AISI 302 Stainless Steel (UNS S30200)

## FEATURES AND BENEFITS

### 1 INCONEL® X750 DIAPHRAGM

For ultimate strength and reliability on clean or corrosive applications.

### 2 SUITABLE FOR GAS OR LIQUID APPLICATIONS

Versatile usage across a range of media-types.

### 3 LOW FLOW COEFFICIENT

Minimal restriction of process media.

### 4 LIGHTWEIGHT & COMPACT DESIGN

Perfect for when installation space is restricted.

**NOTE:** Product availability and specifications contained herein are subject to change without notice. Consult local distributor or factory for potential revisions and/or service related issues. Pressure Tech Ltd support with product selection recommendations only - it is the users responsibility to ensure the product is suitable for their specific application requirements.



DESIGNED AND BUILT IN THE UK

### PRESSURE TECH LTD

Unit 24, Graphite Way, Hadfield, Glossop, Derbyshire, UK, SK13 1QH  
T +44 (0)1457 899 307  
E sales@pressure-tech.com  
W www.pressure-tech.com

311019

PAGE:  
1 OF 4

# BP300 Datasheet

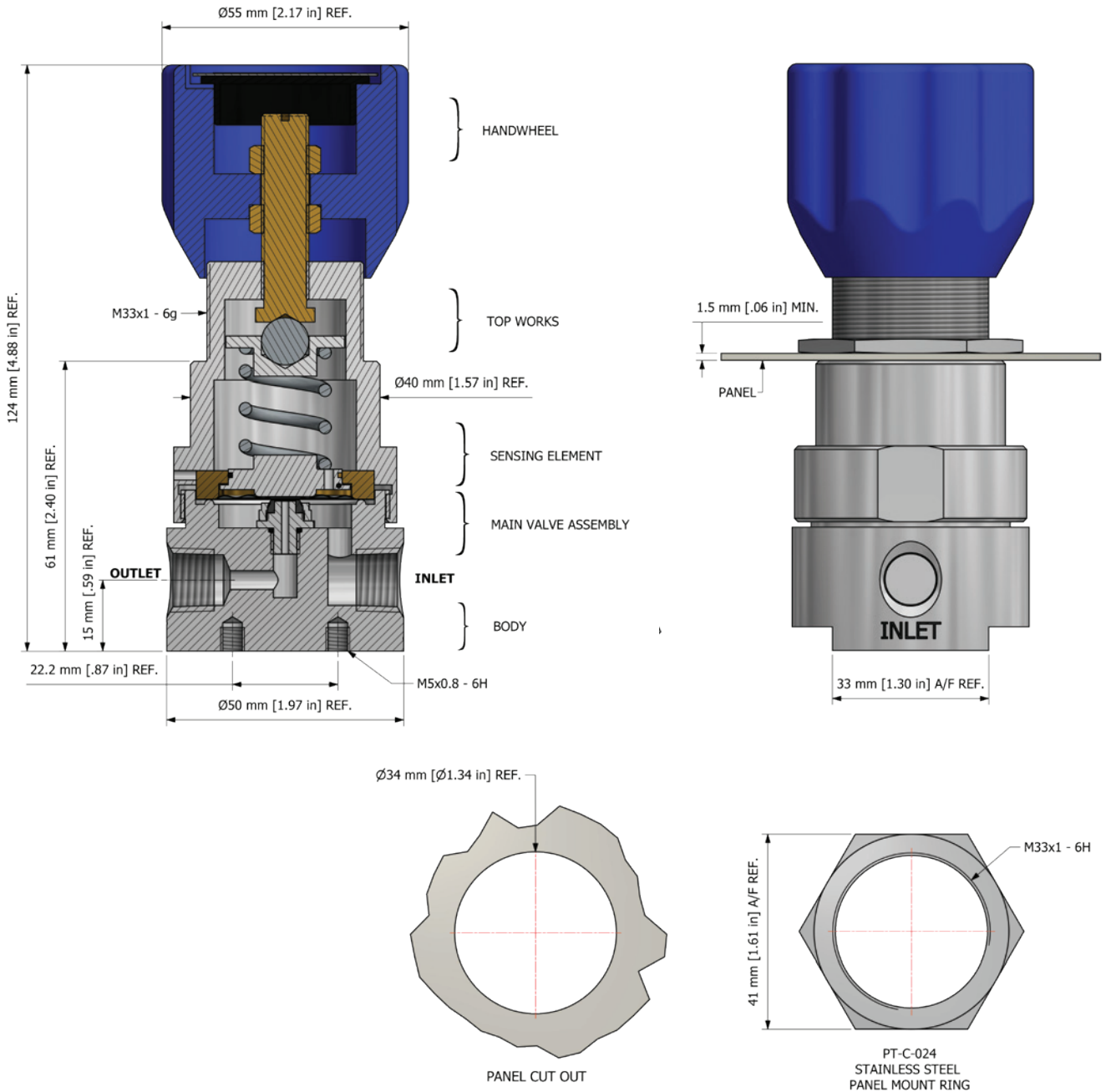
BACK PRESSURE REGULATOR



Gas  
  Liquid  
  Diaphragm  
  Piston  
  Self-Venting  
  Non-Venting  
 Max Rating: 35 bar (510 psi)  
 Control Range: 20 bar (290 psi)  
 Cv 0.1

## DRAWINGS AND INSTALLATION DIMENSIONS

Dimensions shown for 1/4" NPT option - please contact the office for additional connections options.



**Note:**  
All gauge ports are 1/4" NPT as standard.

**NOTE:** Product availability and specifications contained herein are subject to change without notice. Consult local distributor or factory for potential revisions and/or service related issues. Pressure Tech Ltd support with product selection recommendations only - it is the users responsibility to ensure the product is suitable for their specific application requirements.



DESIGNED AND BUILT IN THE UK

**PRESSURE TECH LTD**  
 Unit 24, Graphite Way, Hadfield, Glossop, Derbyshire, UK, SK13 1QH  
 T +44 (0)1457 899 307  
 E sales@pressure-tech.com  
 W www.pressure-tech.com

# BP300 Datasheet

BACK PRESSURE REGULATOR

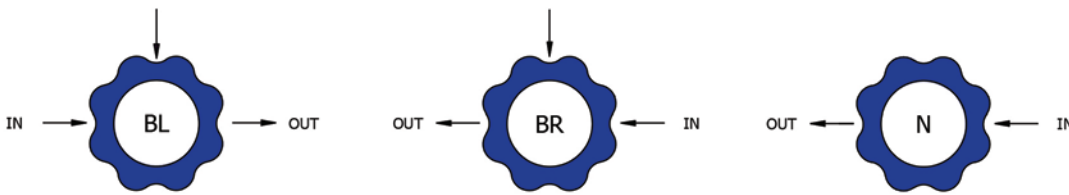


Gas  Liquid |  Diaphragm  Piston |  Self-Venting  Non-Venting | Max Rating: 35 bar (510 psi) | Control Range: 20 bar (290 psi) | Cv 0.1

## FLOW CURVE

Please contact the office for further information.

## PORTING CONFIGURATIONS



*Note:*

Additional porting configurations are available - please contact the office for further information.

**NOTE:** Product availability and specifications contained herein are subject to change without notice. Consult local distributor or factory for potential revisions and/or service related issues.  
Pressure Tech Ltd support with product selection recommendations only - it is the users responsibility to ensure the product is suitable for their specific application requirements.



DESIGNED AND BUILT IN THE UK

### PRESSURE TECH LTD

Unit 24, Graphite Way, Hadfield, Glossop, Derbyshire, UK, SK13 1QH

T +44 (0)1457 899 307

E [sales@pressure-tech.com](mailto:sales@pressure-tech.com)

W [www.pressure-tech.com](http://www.pressure-tech.com)

311019

PAGE:  
3 OF 4

# BP300 Datasheet

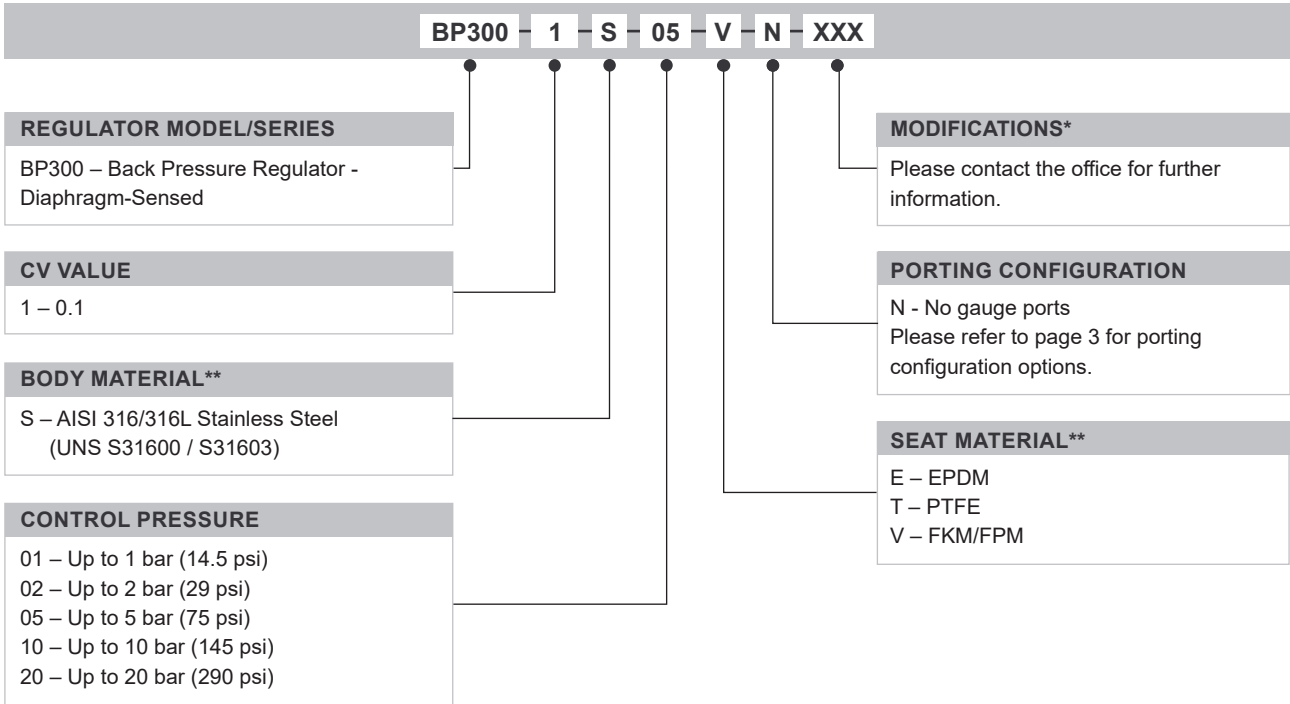
BACK PRESSURE REGULATOR



Gas  
  Liquid  
  Diaphragm  
  Piston  
  Self-Venting  
  Non-Venting  
 Max Rating: 35 bar (510 psi)  
 Control Range: 20 bar (290 psi)  
 Cv 0.1

## ORDERING INFORMATION

To build a Pressure Tech part number, simply combine the characters identified below in sequence:



OPTIONAL EXTRAS		
	PART NUMBER	DESCRIPTION
Service Kit	SRK-BP300...	Various options available
Panel Mounting Ring	PT-C-024	Stainless Steel panel mount ring

*Note:*  
Ancillary equipment also available

**TRADEMARKS:** Inconel® is a registered trademark of Inco Alloys International

\* Where applicable

\*\* Other materials may be available - please contact the office

**NOTE:** Product availability and specifications contained herein are subject to change without notice. Consult local distributor or factory for potential revisions and/or service related issues. Pressure Tech Ltd support with product selection recommendations only - it is the users responsibility to ensure the product is suitable for their specific application requirements.



DESIGNED AND BUILT IN THE UK

### PRESSURE TECH LTD

Unit 24, Graphite Way, Hadfield, Glossop, Derbyshire, UK, SK13 1QH

T +44 (0)1457 899 307

E sales@pressure-tech.com

W www.pressure-tech.com

311019

PAGE:  
4 OF 4