

# BP-LF690 Datasheet

LOW-FLOW BACK PRESSURE REGULATOR



Gas    Liquid   |    Diaphragm    Piston   |   Max Rating: 550 bar (7,975 psi)   |   Control Range: 414 bar (6,000 psi)   |   Cv 0.1



## INTRODUCING THE BP-LF690...

The BP-LF690 is a piston-sensed low-flow back pressure regulator for gas or liquid applications. The gas version includes a thermoplastic seat, whilst the liquid version features metal-to-metal seating. In addition to Stainless Steel, it is available in a range of materials including Titanium, Vespel® and Hastelloy®.

The BP-LF690 accurately controls inlet pressure and vents excess pressure back via the threaded 1/2" NPT/BSPP or 9/16" MP outlet port.

## SPECIFICATION

Max. Rating	550 bar (7,975 psi)
Control Range	Up to 414 bar (6,000 psi)
Design Proof Pressure	150% max. working pressure
Seat Leakage	In accordance with ANSI/FCI 70-3
Weight	2.9kg (6.4lbs)

Note: Pressure regulator rating may be limited by connection type, Cv and/or seat material

## STANDARD MATERIALS OF CONSTRUCTION

PART	MATERIALS
Body and Bonnet	AISI 316/316L Stainless Steel (UNS S31600 / S31603)
Main Valve Pin	Inconel® 718 (UNS N07718)
Seat	PEEK™ or AISI 316/316L Stainless Steel (UNS S31600/S31603)
Valve Spring	Phynox® (R30003)
Piston	AISI 316/316L Stainless Steel (UNS S31600/S31603)
Handwheel	Nylon
O-Rings	NBR or FKM/FPM
Loading Spring	Alloy Spring Steel

## FEATURES AND BENEFITS

### 1 PISTON SENSING ELEMENT

Perfect for use in challenging conditions.

### 2 RANGE OF SEAT MATERIALS

Covers a wide range of applications.

### 3 OPTIONAL AIR ACTUATOR

Fine remote adjustment.

### 4 LOW CV (0.02)

Accurate control of process media.

Product availability and specifications contained herein are subject to change without notice. Consult local distributor or factory for potential revisions and/or service related issues. Pressure Tech Ltd support with product selection recommendations only - it is the users responsibility to ensure the product is suitable for their specific application requirements.



DESIGNED AND BUILT IN THE UK

**PRESSURE TECH LTD**  
 Unit 24, Graphite Way, Hadfield, Glossop, Derbyshire, UK, SK13 1QH  
 T +44 (0)1457 899 307  
 E sales@pressure-tech.com  
 W www.pressure-tech.com

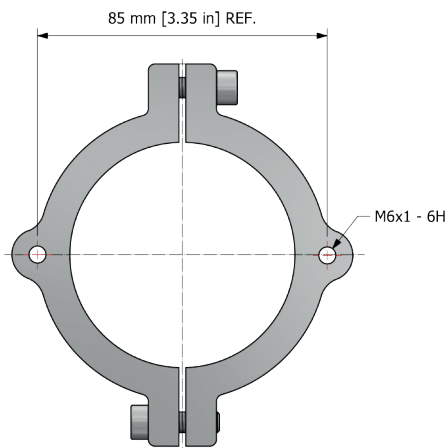
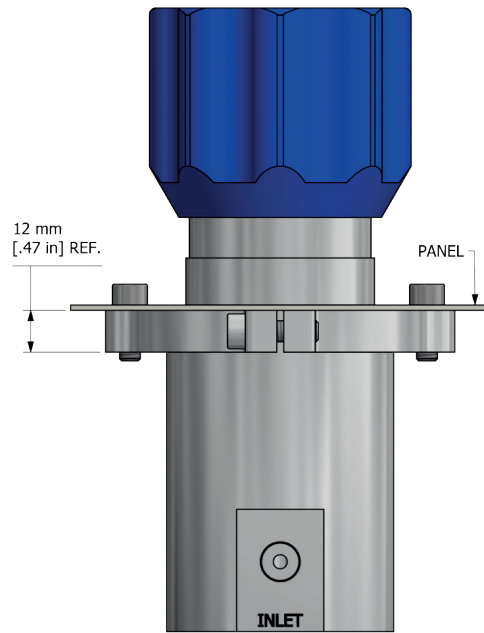
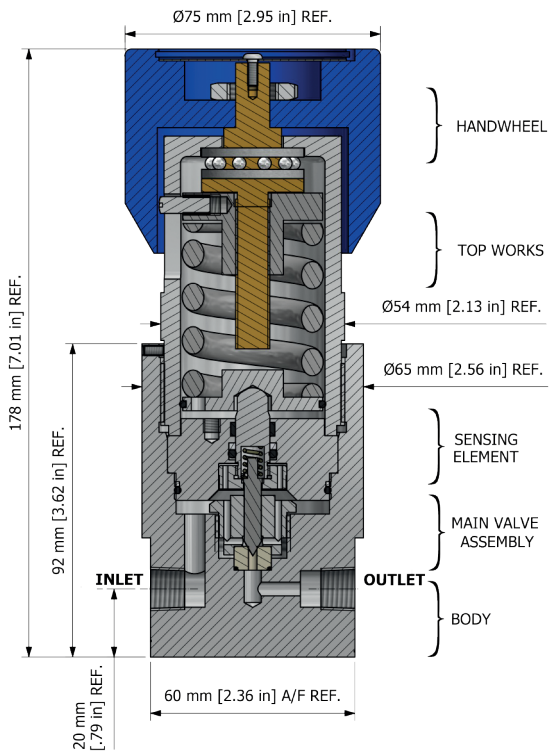
231120

PAGE:  
1 OF 4

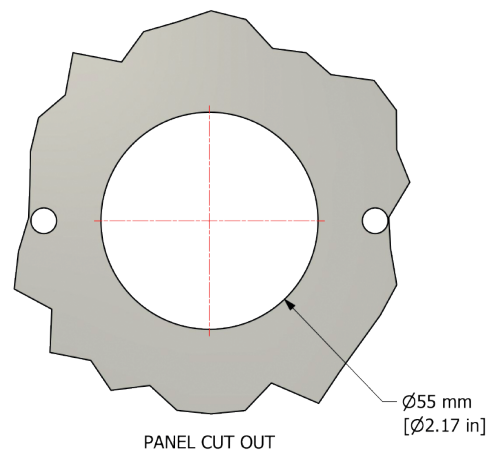
● Gas ● Liquid | 
 ● Diaphragm ● Piston | 
 Max Rating: 550 bar (7,975 psi) | 
 Control Range: 414 bar (6,000 psi) | 
 Cv 0.1

## DRAWINGS AND INSTALLATION DIMENSIONS

Dimensions shown for 1/4" NPT option - please contact the office for additional connection options.



PT-C-061-003-RING (STAINLESS STEEL)  
 PT-C-061-003-001-RING (ALUMINIUM)  
 PANEL MOUNT RING



*Note:* All gauge ports are 1/4" NPT as standard.

Product availability and specifications contained herein are subject to change without notice. Consult local distributor or factory for potential revisions and/or service related issues. Pressure Tech Ltd support with product selection recommendations only - it is the users responsibility to ensure the product is suitable for their specific application requirements.



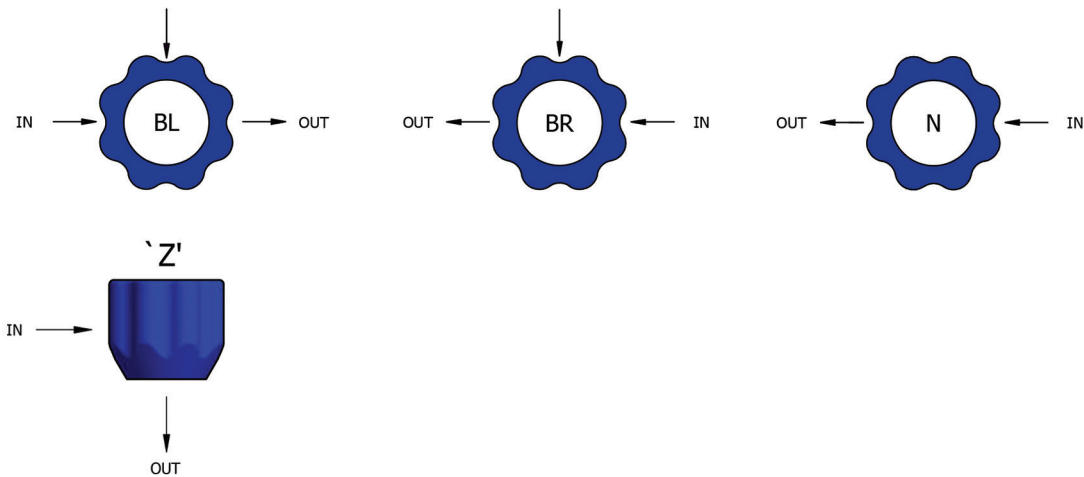
DESIGNED AND BUILT IN THE UK

**PRESSURE TECH LTD**  
 Unit 24, Graphite Way, Hadfield, Glossop, Derbyshire, UK, SK13 1QH  
 T +44 (0)1457 899 307  
 E sales@pressure-tech.com  
 W www.pressure-tech.com

## FLOW CURVE

Please contact the office for further information.

## PORTING CONFIGURATIONS



*Note:*

Additional porting configurations are available - please contact the office for further information.

Product availability and specifications contained herein are subject to change without notice. Consult local distributor or factory for potential revisions and/or service related issues. Pressure Tech Ltd support with product selection recommendations only - it is the users responsibility to ensure the product is suitable for their specific application requirements.



DESIGNED AND BUILT IN THE UK

### PRESSURE TECH LTD

Unit 24, Graphite Way, Hadfield, Glossop, Derbyshire, UK, SK13 1QH  
T +44 (0)1457 899 307  
E sales@pressure-tech.com  
W www.pressure-tech.com

# BP-LF690 Datasheet

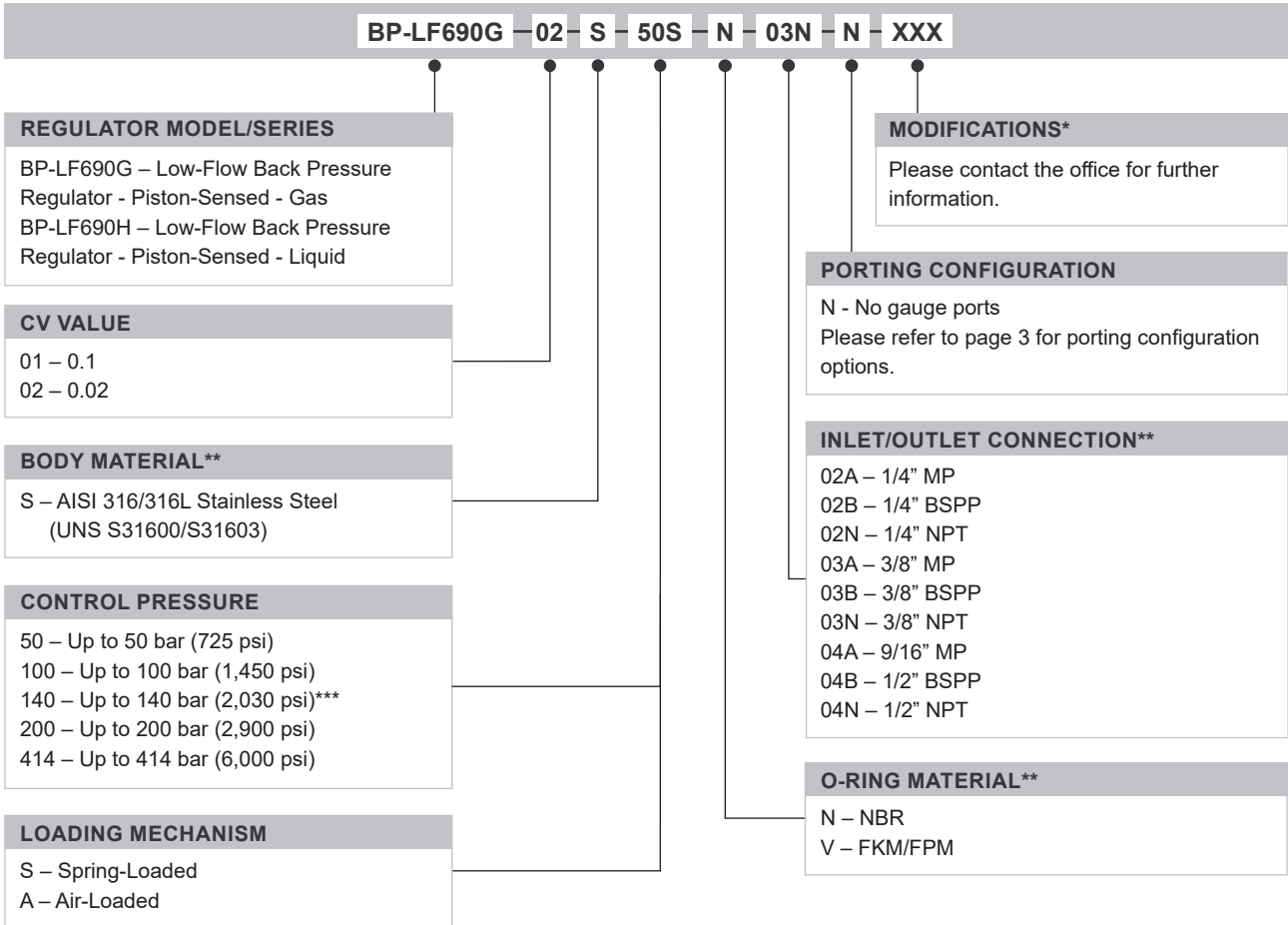
LOW-FLOW BACK PRESSURE REGULATOR



Gas  
  Liquid  
  Diaphragm  
  Piston  
 Max Rating: 550 bar (7,975 psi)  
 Control Range: 414 bar (6,000 psi)  
 Cv 0.1

## ORDERING INFORMATION

To build a Pressure Tech part number, simply combine the characters identified below in sequence:



OPTIONAL EXTRAS		
	PART NUMBER	DESCRIPTION
Service Kit	SRK-BP-LF690...	Various options available
Panel Mounting Ring	PT-C-061-003-RING	Stainless Steel panel mount ring
Panel Mounting Ring	PT-C-061-003-001-RING	Aluminium panel mount ring

*Note:*  
Ancillary equipment also available

**TRADEMARK:** Hastelloy® is a registered trademark of Haynes International, Inc  
 Inconel® is a registered trademark of Inco Alloys International  
 PEEK™ is a trademark of Victrex PLC  
 Phynox® is a registered trademark of Imphy UGINE Precision  
 Vespel® is a registered trademark of DuPont

\* Where applicable  
 \*\* Other materials/connections may be available - please contact the office  
 \*\*\* Air-loaded only

Product availability and specifications contained herein are subject to change without notice. Consult local distributor or factory for potential revisions and/or service related issues.  
 Pressure Tech Ltd support with product selection recommendations only - it is the users responsibility to ensure the product is suitable for their specific application requirements.



DESIGNED AND BUILT IN THE UK

**PRESSURE TECH LTD**  
 Unit 24, Graphite Way, Hadfield, Glossop, Derbyshire, UK, SK13 1QH  
 T +44 (0)1457 899 307  
 E sales@pressure-tech.com  
 W www.pressure-tech.com

231120