

# HF600 Datasheet

## HIGH-FLOW PRESSURE REGULATOR



Gas  
  Liquid  
  Diaphragm  
  Piston  
  Self-Venting  
  Non-Venting  
 Max Inlet: 600 bar (8,700 psi)  
 Max Outlet: 600 bar (8,700 psi)  
 Cv 7.0



### INTRODUCING THE HF600...

The HF600 is a piston-sensed high-flow pressure regulator for both gas and liquid applications.

It features a **balanced main valve** as standard for up to 600 bar (8,700 psi) inlet pressure.

With a Cv of 7.0, the HF600 is perfect for applications where both high-flow and high pressure are required.

### SPECIFICATION

Max. Rated Inlet Pressure	600 bar (8,700 psi)
Outlet Ranges	Up to 600 bar (8,700 psi)
Design Proof Pressure	150% max. working pressure
Seat Leakage	In accordance with ANSI/FCI 70-3
Weight	18kg (39.7lbs)

*Note:* Pressure regulator rating may be limited by connection type, Cv and/or seat material. Contact the office for specific pressure requirements.

### STANDARD MATERIALS OF CONSTRUCTION

PART	MATERIALS
Body and Bonnet	ASTM A479 316/316L Stainless Steel (UNS S31600/S31603)
Main Valve Pin	ASTM A479 316/316L Stainless Steel (UNS S31600/S31603)
Soft Seat	Vespel®
Valve Spring	ASTM A479 S42 Stainless Steel (UNS S43100)
Piston	ASTM A479 316/316L Stainless Steel (UNS S31600/S31603)
O-Rings	NBR N70 (Nitrile Buna N) FKM/FPM (Viton)
Loading Spring	Alloy Spring Steel

### FEATURES AND BENEFITS

#### 1 BALANCED MAIN VALVE DESIGN

Improved control across the pressure range.

#### 2 PISTON SENSING ELEMENT

Perfect for use in challenging conditions.

#### 3 HIGH FLOW COEFFICIENT

CV 7.0 for high-flow capabilities.

#### 4 SUITABLE FOR GAS OR LIQUID APPLICATIONS

Versatile usage across a range of media-types.

**NOTE:** Product availability and specifications contained herein are subject to change without notice. Consult local distributor or factory for potential revisions and/or service related issues. Pressure Tech Ltd support with product selection recommendations only - it is the users responsibility to ensure the product is suitable for their specific application requirements.



#### PRESSURE TECH LTD

Unit 24, Graphite Way, Hadfield, Glossop, Derbyshire, UK, SK13 1QH  
 T +44 (0)1457 899 307  
 E [sales@pressure-tech.com](mailto:sales@pressure-tech.com)  
 W [www.pressure-tech.com](http://www.pressure-tech.com)

DESIGNED, MANUFACTURED AND BUILT IN THE UK

280624

PAGE:  
1 OF 4

# HF600 Datasheet

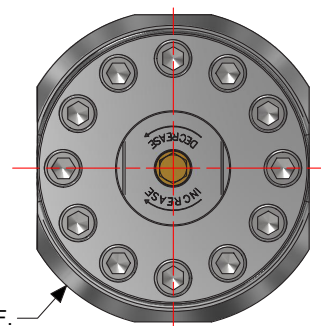
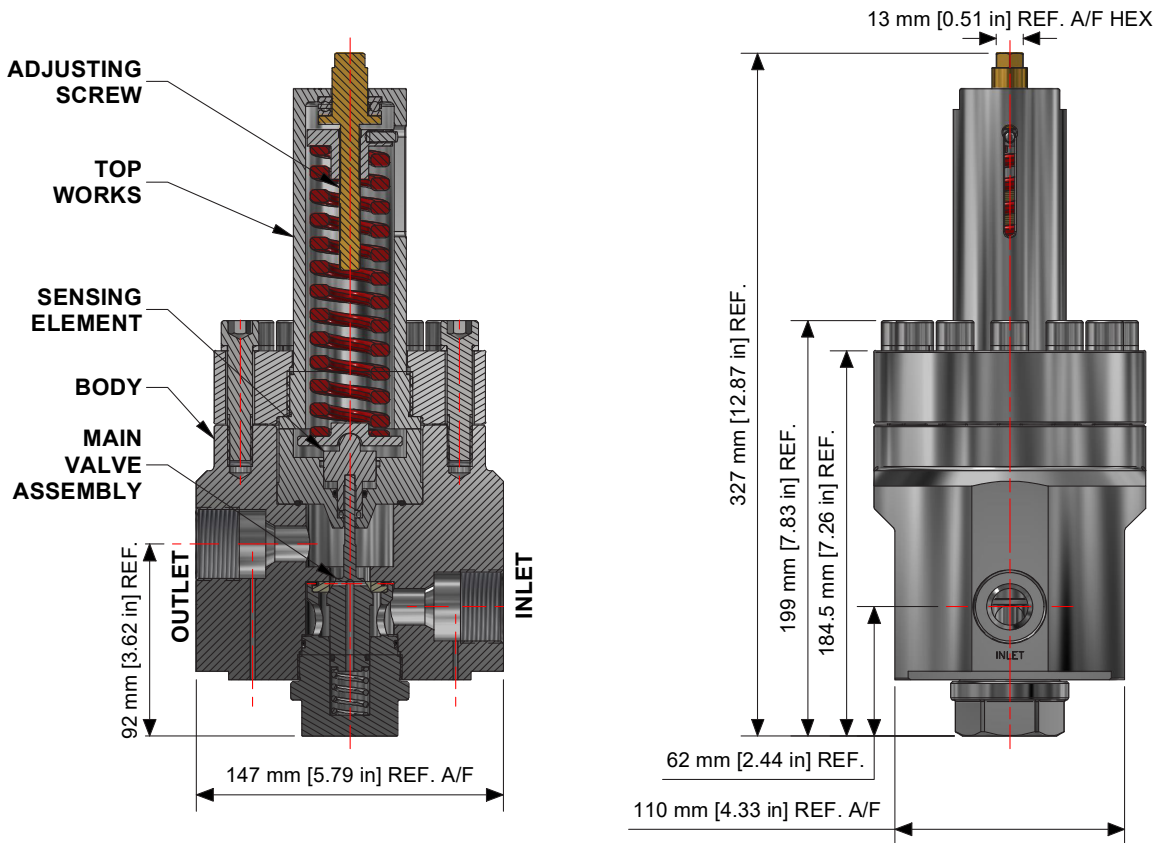
HIGH-FLOW PRESSURE REGULATOR



Gas  
  Liquid  
  Diaphragm  
  Piston  
  Self-Venting  
  Non-Venting  
 Max Inlet: 600 bar (8,700 psi)  
 Max Outlet: 600 bar (8,700 psi)  
 Cv 7.0

## DRAWINGS AND INSTALLATION DIMENSIONS

Dimensions shown for 1" MP option and standard configurations only - please contact the office for other options.



*Note:*  
All gauge ports are 1/4" NPT as standard.

**NOTE:** Product availability and specifications contained herein are subject to change without notice. Consult local distributor or factory for potential revisions and/or service related issues. Pressure Tech Ltd support with product selection recommendations only - it is the users responsibility to ensure the product is suitable for their specific application requirements.



**PRESSURE TECH LTD**  
 Unit 24, Graphite Way, Hadfield, Glossop, Derbyshire, UK, SK13 1QH  
 T +44 (0)1457 899 307  
 E [sales@pressure-tech.com](mailto:sales@pressure-tech.com)  
 W [www.pressure-tech.com](http://www.pressure-tech.com)

DESIGNED, MANUFACTURED AND BUILT IN THE UK

280624

PAGE:  
2 OF 4

# HF600 Datasheet

HIGH-FLOW PRESSURE REGULATOR

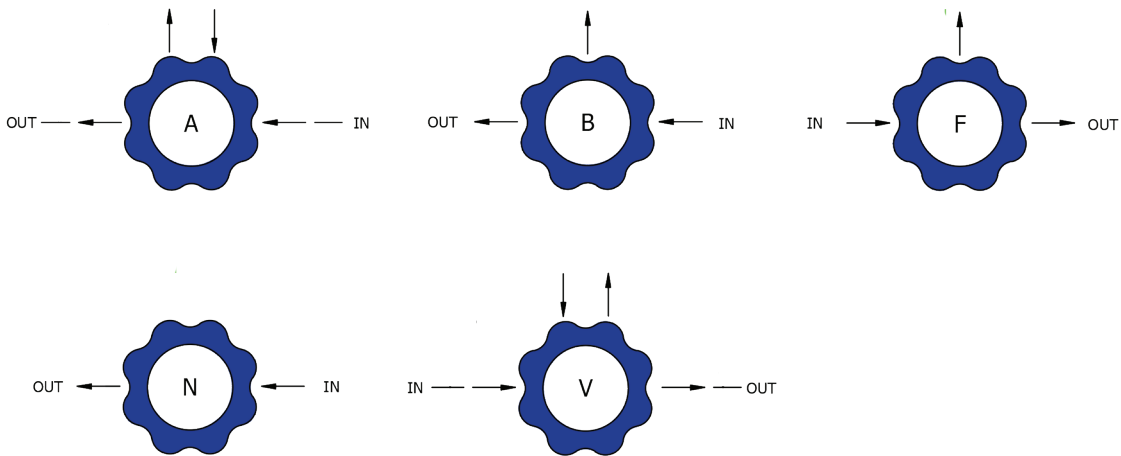


Gas  Liquid |  Diaphragm  Piston |  Self-Venting  Non-Venting | Max Inlet: 600 bar (8,700 psi) | Max Outlet: 600 bar (8,700 psi) | Cv 7.0

## FLOW CURVE

Please contact the office for further information.

## PORTING CONFIGURATIONS



### Notes:

Additional porting configurations are available - please contact the office for further information.  
One gauge to be used with extension bar if mounted directly.

**NOTE:** Product availability and specifications contained herein are subject to change without notice. Consult local distributor or factory for potential revisions and/or service related issues.  
Pressure Tech Ltd support with product selection recommendations only - it is the users responsibility to ensure the product is suitable for their specific application requirements.



**PRESSURE TECH LTD**  
Unit 24, Graphite Way, Hadfield, Glossop, Derbyshire, UK, SK13 1QH  
T +44 (0)1457 899 307  
E [sales@pressure-tech.com](mailto:sales@pressure-tech.com)  
W [www.pressure-tech.com](http://www.pressure-tech.com)

DESIGNED, MANUFACTURED AND BUILT IN THE UK

280624

PAGE:  
3 OF 4

# HF600 Datasheet

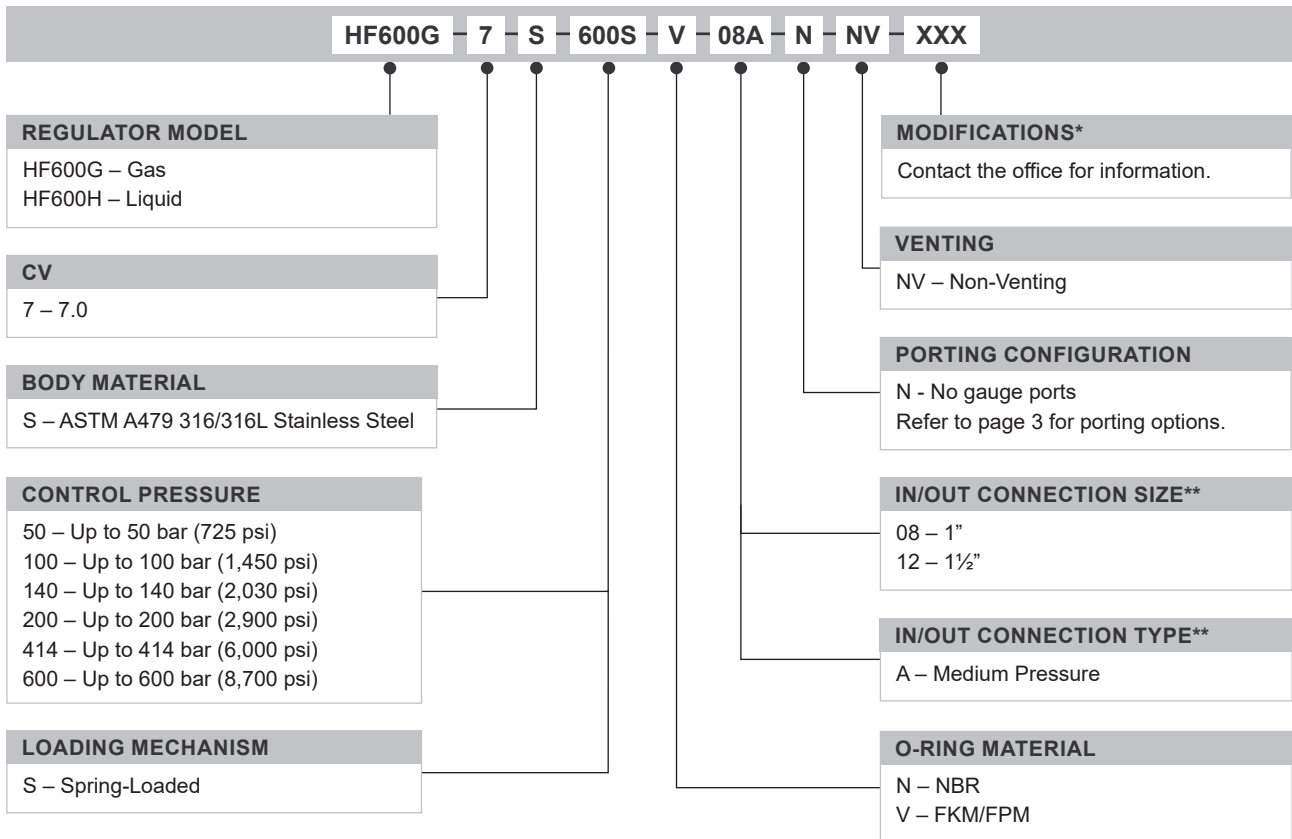
## HIGH-FLOW PRESSURE REGULATOR



Gas  
  Liquid  
  Diaphragm  
  Piston  
  Self-Venting  
  Non-Venting  
 Max Inlet: 600 bar (8,700 psi)  
 Max Outlet: 600 bar (8,700 psi)  
 Cv 7.0

### ORDERING INFORMATION

To build a Pressure Tech part number, simply combine the characters identified below in sequence:



### OPTIONAL EXTRAS

	PART NUMBER	DESCRIPTION
Service Kit	SRK-HF600...	Various options available

*Note:* Ancillary Equipment and additional Service Kit options also available.

**TRADEMARKS:** Vespel® is a registered trademark of DuPont Polymers, Inc.

\* Where applicable

\*\* Other options may be available

**NOTE:** Product availability and specifications contained herein are subject to change without notice. Consult local distributor or factory for potential revisions and/or service related issues. Pressure Tech Ltd support with product selection recommendations only - it is the users responsibility to ensure the product is suitable for their specific application requirements.



**PRESSURE TECH LTD**  
 Unit 24, Graphite Way, Hadfield, Glossop, Derbyshire, UK, SK13 1QH  
 T +44 (0)1457 899 307  
 E [sales@pressure-tech.com](mailto:sales@pressure-tech.com)  
 W [www.pressure-tech.com](http://www.pressure-tech.com)

280624

PAGE:  
4 OF 4

DESIGNED, MANUFACTURED AND BUILT IN THE UK