

SS-COM301 Datasheet

SUBSEA COMBINATION PRESSURE REGULATOR



Gas
 Liquid
 Diaphragm
 Piston
 Self-Venting
 Non-Venting
 Max Inlet: 300 bar (4,350 psi)
 Max Outlet: 50 bar (725 psi)
 Cv 0.5



INTRODUCING THE SS-COM301...

The SS-COM301 is a subsea combination piston-sensed regulator, incorporating our MF101 and BP301 regulators in one body.

It features a balanced main valve design as standard, but is also available in an unbalanced option. Its MP35N main valve spring has been carefully selected for its high strength and corrosion-resistant properties to suit sea water conditions.

STANDARD MATERIALS OF CONSTRUCTION

PART	MATERIALS
Body and Bonnet	AISI 316/316L Stainless Steel (UNS S31600/S31603)
Main Valve Pin	AISI 316/316L Stainless Steel (UNS S31600/S31603)
Seat	PCTFE
Valve Spring	MP35N (UNS R30035)
Piston	AISI 316 / 316L Stainless Steel (UNS S31600 / S31603)
O-Rings	NBR
Loading Spring	Elgiloy® (UNS R30003)

SPECIFICATION

Max. Rated Inlet Pressure	300 bar (4,350 psi)
Outlet Ranges	Up to 50 bar (725 psi)
Design Proof Pressure	150% max. working pressure

* Pressure regulator rating may be limited by connection type, Cv and/or seat material

Seat Leakage	In accordance with ANSI/FCI 70-3
Operating Temperatures	-20°C to +150°C
Weight	kg (lbs)

* Operating temperature range is provided as a guide only

FEATURES AND BENEFITS

1 SUBSEA OPERATION

Regulator designed specifically for subsea applications and operation.

2 PISTON SENSING ELEMENT

Perfect for use in challenging conditions.

3 MP35N VALVE SPRING MATERIAL

Very high strength with excellent corrosion resistance for use subsea.

4 BALANCED DESIGN

Improved control across the pressure range.

Product availability and specifications contained herein are subject to change without notice. Consult local distributor or factory for potential revisions and/or service related issues. Pressure Tech Ltd support with product selection recommendations only - it is the users responsibility to ensure the product is suitable for their specific application requirements.



DESIGNED AND BUILT IN THE UK

PRESSURE TECH LTD

Unit 24, Graphite Way, Hadfield, Glossop, Derbyshire, UK, SK13 1QH
 T +44 (0)1457 899 307
 E sales@pressure-tech.com
 W www.pressure-tech.com

040920

PAGE:
1 OF 4

SS-COM301 Datasheet

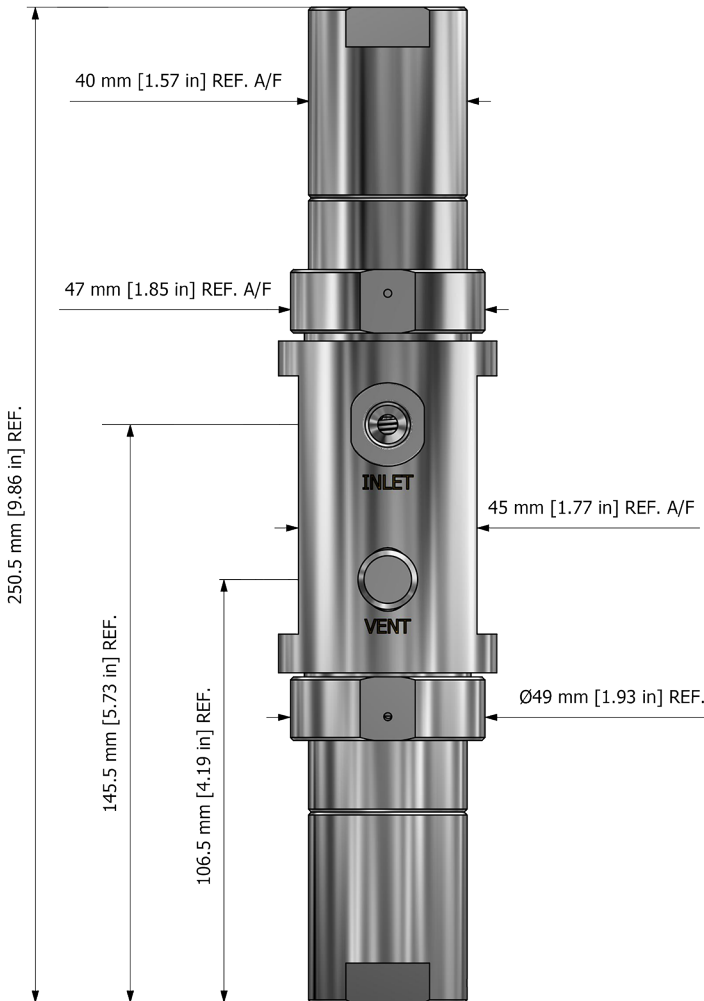
SUBSEA COMBINATION PRESSURE REGULATOR



Gas
 Liquid
 Diaphragm
 Piston
 Self-Venting
 Non-Venting
 Max Inlet: 300 bar (4,350 psi)
 Max Outlet: 50 bar (725 psi)
 Cv 0.5

DRAWINGS AND INSTALLATION DIMENSIONS

Dimensions shown for 1/4" BSPP option - please contact the office for additional connection options.



Note:
All gauge ports are 1/4" NPT as standard.

Product availability and specifications contained herein are subject to change without notice. Consult local distributor or factory for potential revisions and/or service related issues. Pressure Tech Ltd support with product selection recommendations only - it is the users responsibility to ensure the product is suitable for their specific application requirements.



DESIGNED AND BUILT IN THE UK

PRESSURE TECH LTD
 Unit 24, Graphite Way, Hadfield, Glossop, Derbyshire, UK, SK13 1QH
 T +44 (0)1457 899 307
 E sales@pressure-tech.com
 W www.pressure-tech.com

040920

PAGE:
2 OF 4

SS-COM301 Datasheet

SUBSEA COMBINATION PRESSURE REGULATOR

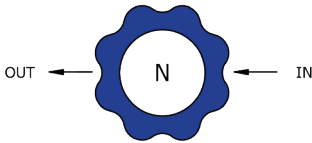


Gas Liquid | Diaphragm Piston | Self-Venting Non-Venting | Max Inlet: 300 bar (4,350 psi) | Max Outlet: 50 bar (725 psi) | Cv 0.5

FLOW CURVE

Please contact the office for further information.

PORTING CONFIGURATIONS



Note:

Additional porting configurations may be available - please contact the office for further information.

Product availability and specifications contained herein are subject to change without notice. Consult local distributor or factory for potential revisions and/or service related issues. Pressure Tech Ltd support with product selection recommendations only - it is the users responsibility to ensure the product is suitable for their specific application requirements.



DESIGNED AND BUILT IN THE UK



PRESSURE TECH LTD

Unit 24, Graphite Way, Hadfield, Glossop, Derbyshire, UK, SK13 1QH
T +44 (0)1457 899 307
E sales@pressure-tech.com
W www.pressure-tech.com

040920

PAGE:
3 OF 4

SS-COM301 Datasheet

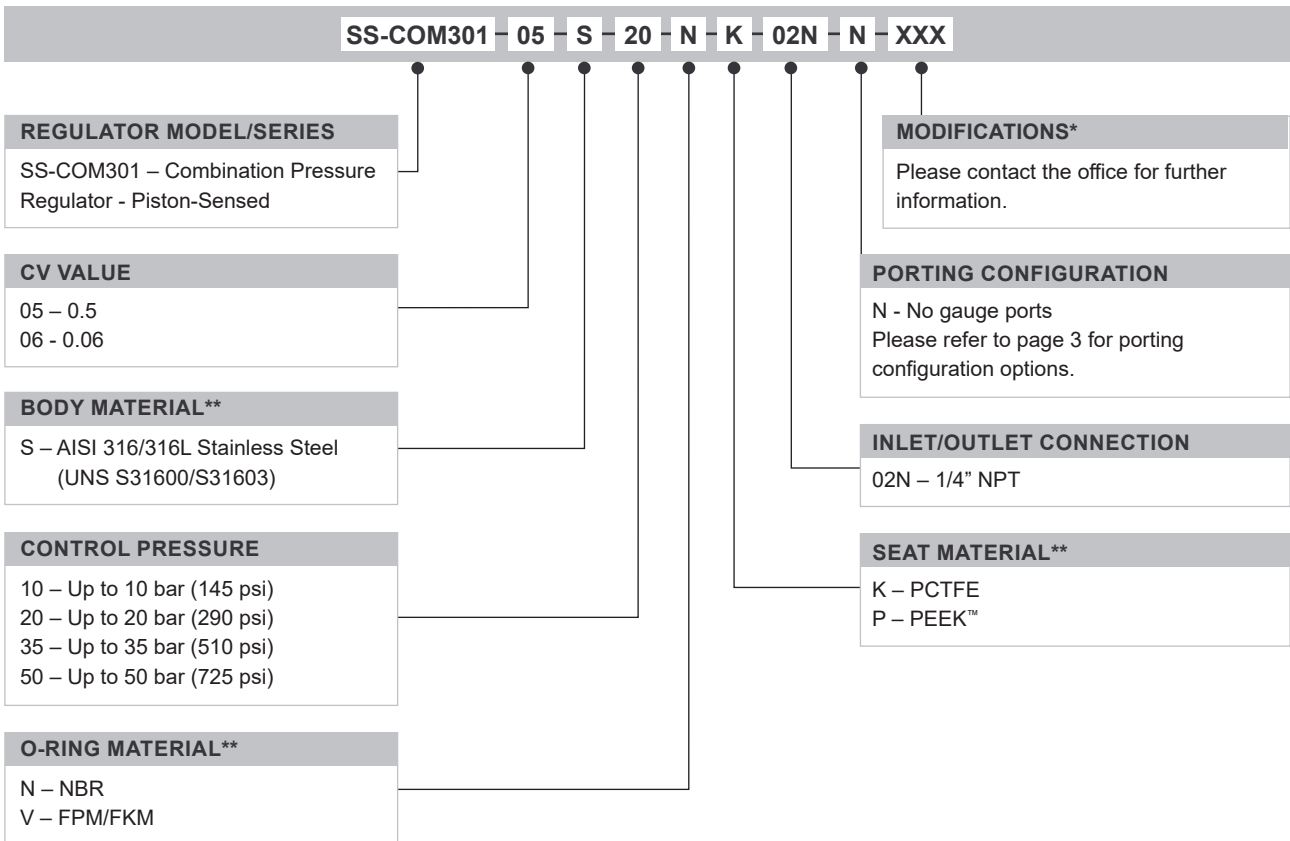
SUBSEA COMBINATION PRESSURE REGULATOR



Gas
 Liquid
 Diaphragm
 Piston
 Self-Venting
 Non-Venting
 Max Inlet: 300 bar (4,350 psi)
 Max Outlet: 50 bar (725 psi)
 Cv 0.5

ORDERING INFORMATION

To build a Pressure Tech part number, simply combine the characters identified below in sequence:



OPTIONAL EXTRAS		
	PART NUMBER	DESCRIPTION
Service Kit	SRK-SS-COM301	Various options available.

Note:
Ancillary equipment also available

TRADEMARKS: Inconel® is a registered trademark of Inco Alloys International

* Where applicable

** Other materials may be available - please contact the office

Product availability and specifications contained herein are subject to change without notice. Consult local distributor or factory for potential revisions and/or service related issues. Pressure Tech Ltd support with product selection recommendations only - it is the users responsibility to ensure the product is suitable for their specific application requirements.



DESIGNED AND BUILT IN THE UK

PRESSURE TECH LTD
 Unit 24, Graphite Way, Hadfield, Glossop, Derbyshire, UK, SK13 1QH
 T +44 (0)1457 899 307
 E sales@pressure-tech.com
 W www.pressure-tech.com

040920

PAGE:
4 OF 4